



Table of Contents:

	Page:
Linear Motion:	
SLP 80B - S10	4.67
SLP 1000B - S10	4.67
SLP 80A - S8	4.68
SLP 1000A - S8	4.68
SLP 80B - S8	4.68
SLP 1000B - S8	4.68
Slider (SLD)	4.69
SLD - S10	4.69
Folding Door Element (FDE)	4.70
FDE	4.70
Double Linear Rail (DLR - D12)	4.71
DLR - D12, L496	4.71
DLR - D12, L996	4.71
DLR - D12, L1496	4.71
Double Linear Rail (DLR - D12)	4.71
DLR - D12, L1996	4.71
DLR - D12, L2496	4.71
DLR - D12, L2996	4.71
Double Linear Rail (DLR - D10)	4.72
DLR - D10, L0.5	4.72
DLR - D10, L1	4.72
DLR - D10, L1.5	4.72
DLR - D10, L2	4.72
DLR - D10, L2.5	4.72
DLR - D10, L3	4.72
DLR - D10, L3.5	4.72
DLR - D10, L4	4.72
DLR - D10, L4.5	4.72
DLR - D10, L5	4.72
DLR - D10, L5.5	4.72
DLR - D10, L6.	4.72
Double Linear Rail (DLR - D8)	4.73
DLR - D8, L496	4.73
DLR - D8, L996	4.73
DLR - D8, L1496	4.73
DLR - D8, L1996	4.73
DLR - D8, L2496	4.73
DLR - D8, L2996	4.73
Sliding Blocks (WS8)	4.74
WS8 - 100	4.74
WS8 - 150	4.74
Sliding Blocks (WS1)	4.75
WS1 - 96	4.75
WS1 - 126	4.75



Table of Contents:

	Page:
Linear Motion:	
Sliding Blocks (WS)	4.76
WS - 45	4.76
WS - 30	4.76
Roller Carriage (LW)	4.77
LW - 106	4.77
LW - 208	4.77
LW - 210	4.77
Concentric Bearings (CB)	4.78
CB - 106	4.78
CB - 208	4.78
CB - 210	4.78
Panels:	
Louvred Panels (LP)	4.79
LP - 457	4.79
LP - 914	4.79
LP - 1224	4.79
LP - 1829	4.79
Protective Panels	4.80
Acrylic 4.5	4.80
Acrylic 6	4.80
Polycarb 4.5	4.80
Polycarb 6	4.80
Brushed Stainless Steel 304 1.2	4.80
Brushed Stainless Steel 304 1.6	4.80
Brushed Stainless Steel 304 2	4.80
Gal Sheet 1.2	4.80
Gal Sheet 1.6	4.80
Infill Panels:	
Protective Mesh	4.81
Gal Mesh 25 x 25 x 3.15	4.81
Gal Mesh 50 x 50 x 4	4.81
Pane Profile (PPF)	4.82
PPF	4.82
Sealing Wedge (SWD)	4.83
SWD 4 - S10	4.83
SWD 6 - S10	4.83
MSWD 4 - S8	4.83
Vario Blocks (VB)	4.84
VB - M5	4.84
MVB - M6	4.84
Vario Block Spacers (VBS)	4.85
VBS - 2	4.85
VBS - 3	4.85
VBS - 5	4.85



Table of Contents:

	Page:
Infill Panels:	
Clip Blocks	4.86
Clip Block 14 - S8	4.86
Clip Block 14 - S10	4.86
Uniblocks	4.87
Uniblock 18 - S8	4.87
Uniblock 18 - S10	4.87
Uniblock 25 - S8	4.87
Uniblock 25 - S10	4.87
Miscellaneous:	
Eye Bolts (EYB)	4.88
EYB M8	4.88
EYB M12	4.88
EYB M16	4.88
Pneumatic Connection Plates (PCP)	4.89
PCP - 1/8 BSP	4.89
PCP - 1/4 BSP	4.89
PCP - 1/2 BSP	4.89
Pneumatic End Plates (PEP)	4.90
PEP - 45 x 90 Blank	4.90
PEP - 45 x 90 1/8 BSB	4.90
PEP - 45 x 90 1/4 BSB	4.90
Cloth Holder (CLH)	4.91
CLH	4.91
Cup Holder (CH)	4.92
CH Black - Closed	4.92
CH Red - Closed	4.92
CH Black - Open	4.92
Tray (TR)	4.93
TR	4.93
Document Holder (DH)	4.94
DH - A3	4.94
Cable Block Clamps (CBL)	4.95
Cable Block Clamp	4.95
Cable Block	4.95
Cable Block Clamp - Ring	4.96



Plastic Hinge (PH):



General Information:

Function: To connect panels or aluminium profiles.

Features:

1. All 'Plastic Hinges' are black.
2. Fastening sets are included.

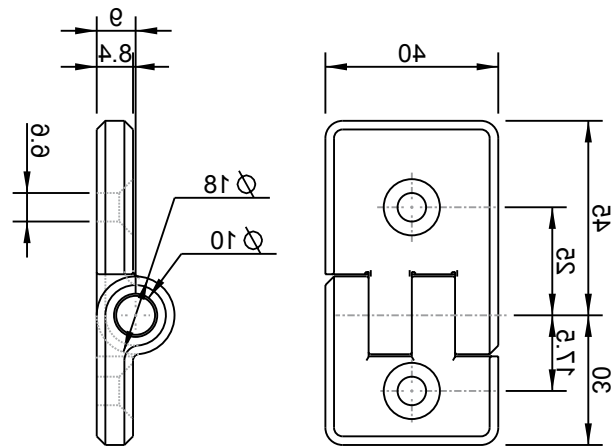
Item Description:

PH 30 x 30

PH 30 x 45

Item Number:

1.25.0011.0

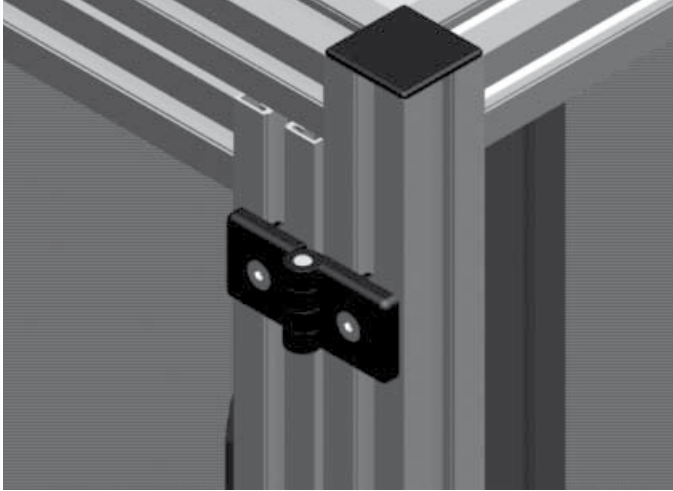


Technical Information:

Item Description	Dim -A1- (mm)	Dim -B1-(mm)	Dim -A2- (mm)	Dim -B2- (mm)	Max Force (N)	Weight (g)	Material: Hinge	Material: Pin
PH 30 x 30	30.0	17.5	30.0	17.5	150.0	-	Black PA	Galvanised steel
PH 30 x 45	30.0	17.5	45.0	25.0		-		



Heavy-duty Plastic Hinge (HPH):



General Information:

Function: To connect panels or aluminium profiles.

Features:

1. Each plate has two holes to fit locating pins.

Note:

1. Requires M6 counter-sunk screws to be fastened.

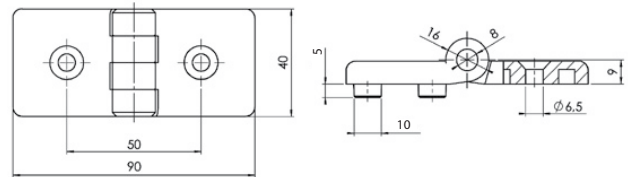
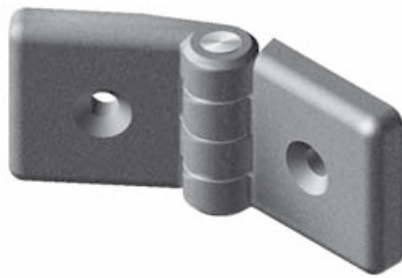
Item Description:

HPH 45 x 45 - S10

Item Number:

C095002

10



Technical Information:

Item Description	Max Load (Nm)	Locating Pins	Weight (g)	Colour	Material: Hinge	Material: Pin
HPH 45 x 45 - S10	150.0	S10	48.0	Black	Fibreglass reinforced nylon	Stainless steel



Door Hinges (Hinge):



General Information:

Function: To connect panels or aluminium profiles.

Features:

- 1. All 'Plastic Combi Hinges' are black.

Note:

- 1. Requires M6 socket head cap screws to be fastened.

Item Description:

Hinge 70 - 50 M6

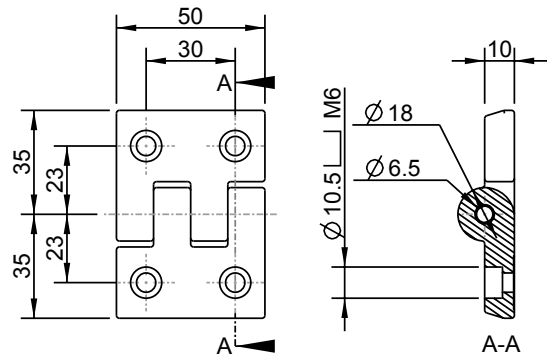
Item Number:

1.25.0001.0



Hinge 70 - 50 M8

1.25.0002.0



Item Description:

Hinge 80 - 102 M6

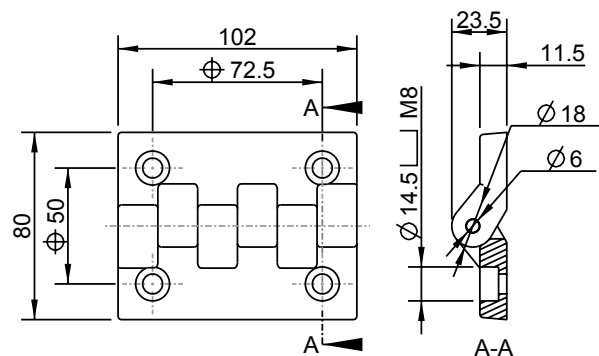
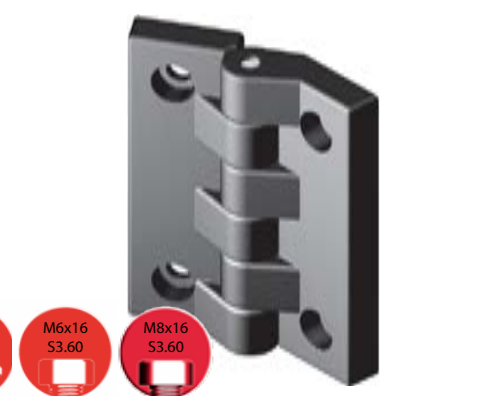
Item Number:

1.25.0003.0



Hinge 80 - 102 M8

1.25.0004.0

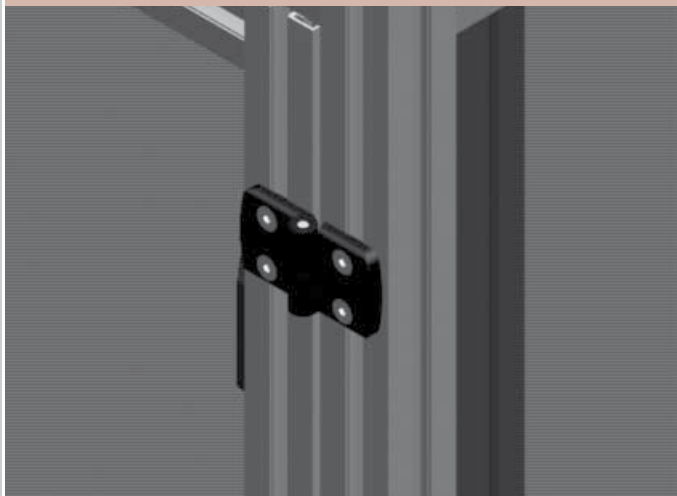


Technical Information:

Item Description	Rotation (°)	Max Load (Nm)	Locating Pins	Weight (g)	Colour	Finish	Material:
Hinge 70 - 50 M6	170.0	-	Without	-	Black	Plain	Hinge: Polyamide Pin: AISI 303 Stainless steel
Hinge 70 - 50 M8		-		-			
Hinge 70 - 102 M6		-		-			
Hinge 70 - 102 M8		-		-			



Plastic Combi Hinge (PCH):



General Information:

Function: To connect panels or aluminium profiles.

Features:

1. All 'Plastic Combi Hinges' are black.

Note:

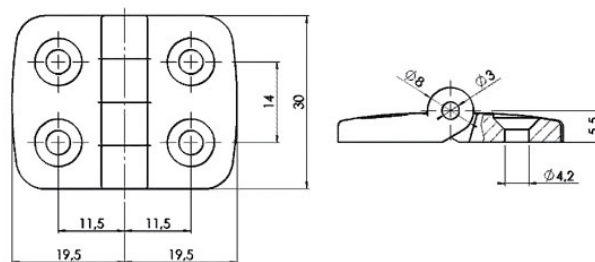
1. Requires M4 counter-sunk screws to be fastened.

Item Description:

PCH 20 x 20 - S6

Item Number:

C095012E

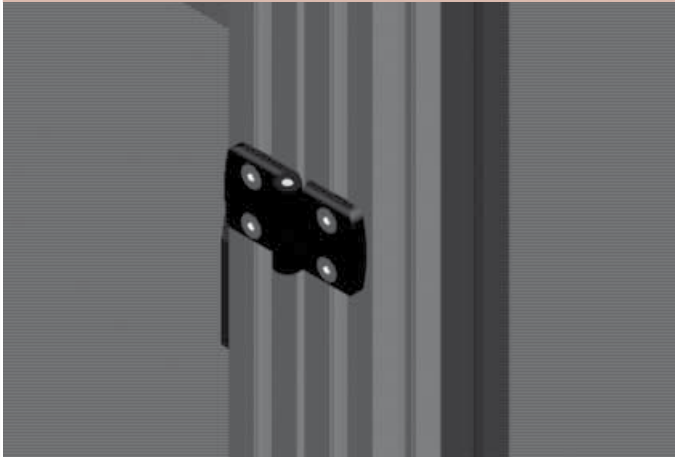
M4x10
S3.60

Technical Information:

Item Description	Max Load (Nm)	Locating Pins	Weight (g)	Colour	Material: Hinge	Material: Pin
PCH 20 x 20 - S6	30.0	Without	7.5	Black	Fibreglass reinforced nylon	Steel / Stainless steel



Plastic Combi Hinges (PCH):



General Information:

Function: To connect panels or aluminium profiles.

Features:

- 1. All 'Plastic Combi Hinges' are black.

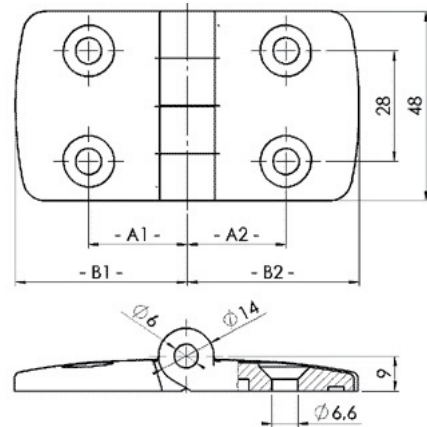
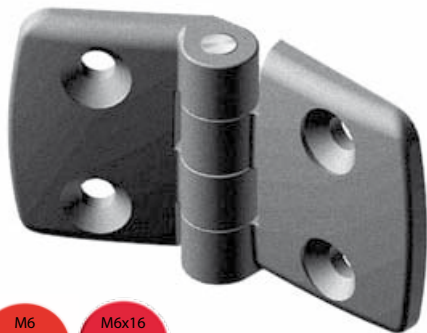
Note:

- 1. All 'Plastic Combi Hinges' excluding 'PCH 20x20' require M6 countersunk screws for fastening.

Item Description:

Item Number:

PCH 25 x 25 - S8	C095K2525F08	
PCH 30 x 30 - S8	C095K3030F08	
PCH 30 x 40	C095K3040F00	
PCH 40 x 40 - S10	C095K4040F10	
PCH 45 x 30	C095K4530F00	
PCH 45 x 45 - S10	C095K4545F10	
PCH 45 x 60	C095K4560F00	
PCH 60 x 60 - S10	C095K6060F10	



Technical Information:

Item Description	Dim -A1- (mm)	Dim -A2- (mm)	Dim -B1- (mm)	Dim -B2- (mm)	Max Load (Nm)	Locating Pins	Weight (g)	Material
PCH 25 x 25 - S8	15.0	15.0	26.0	26.0	30.0	S8	32.0	Wings: Fibreglass reinforced nylon
PCH 30 x 30 - S8	17.5	17.5	29.5	29.5		Without	36.0	
PCH 30 x 40	17.5	22.5	29.5	38.5	S10	43.0		
PCH 40 x 40 - S10	22.5	22.5	38.5	38.5	Without	41.0		
PCH 45 x 30	25.0	17.5	43.5	29.5	40.0	S10	46.0	Bolt: Stainless steel
PCH 45 x 45 - S10	25.0	25.0	43.5	43.5		Without	51.0	
PCH 45 x 60	25.0	32.5	43.5	57.5		S10	55.0	
PCH 60 x 60 - S10	32.5	32.5	57.5	57.5				



Plastic Combi Hinge & Locking Lever (PCH & LL):

General Information:



Function: To connect panels or aluminium profiles.

Features:

1. Can be locked in any position.
2. All 'Plastic Combi Hinges & Locking Lever' are black.

Note:

1. All 'Plastic Combi Hinge & Locking Levers' require M6 countersunk screws for fastening.

Item Description:

Item Number:

PCH & LL 30 - S8

C095KF3030F08



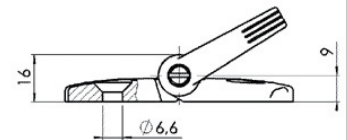
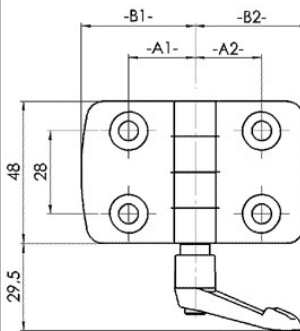
PCH & LL 40 - S8

C095KF4040F08



PCH & LL 45 - S10

C095KF4545F10



Technical Information:

Item Description	Dim -A1- & -A2- (mm)	Dim -B1- & -B2- (mm)	Max Load (Nm)	Locating Pins	Weight (g)	Material: Hinge & Lever	Material: Mechanism
PCH & LL 30 - S8	17.5	29.5	25-40	S8	47.0	Fibreglass reinforced nylon	Steel, black Zn plated
PCH & LL 40 - S8	22.5	38.5			55.0		
PCH & LL 45 - S10	25.0	43.5		S10	57.0		



Plastic System Hinge (PSH):

General Information:



Function: To connect panels or aluminium profiles.

Features:

- 1. All plastic components are black.

Note:

- 1. Requires M6 socket head cap screws for fastening.

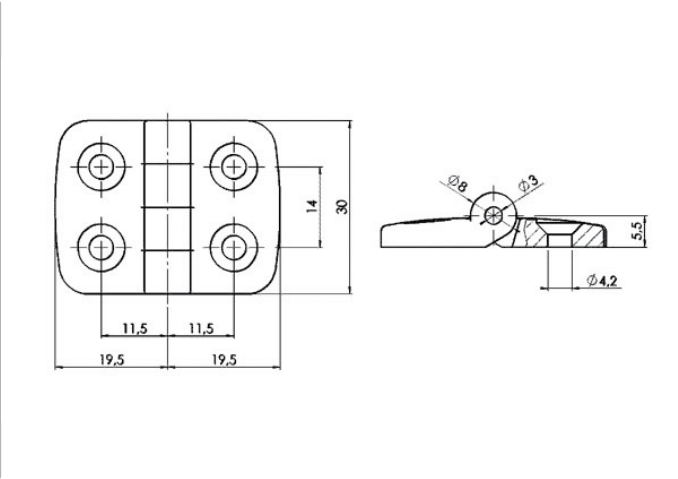
Item Description:

Item Number:

PSH 30 x 30

C095S3030A00

P30x30



Technical Information:

Item Description	Max Load (Nm)	Locating Pins	Weight (g)	Colour	Material
PSH 30 x 30	20.0	Without	39.0	Black	Fibreglass reinforced nylon